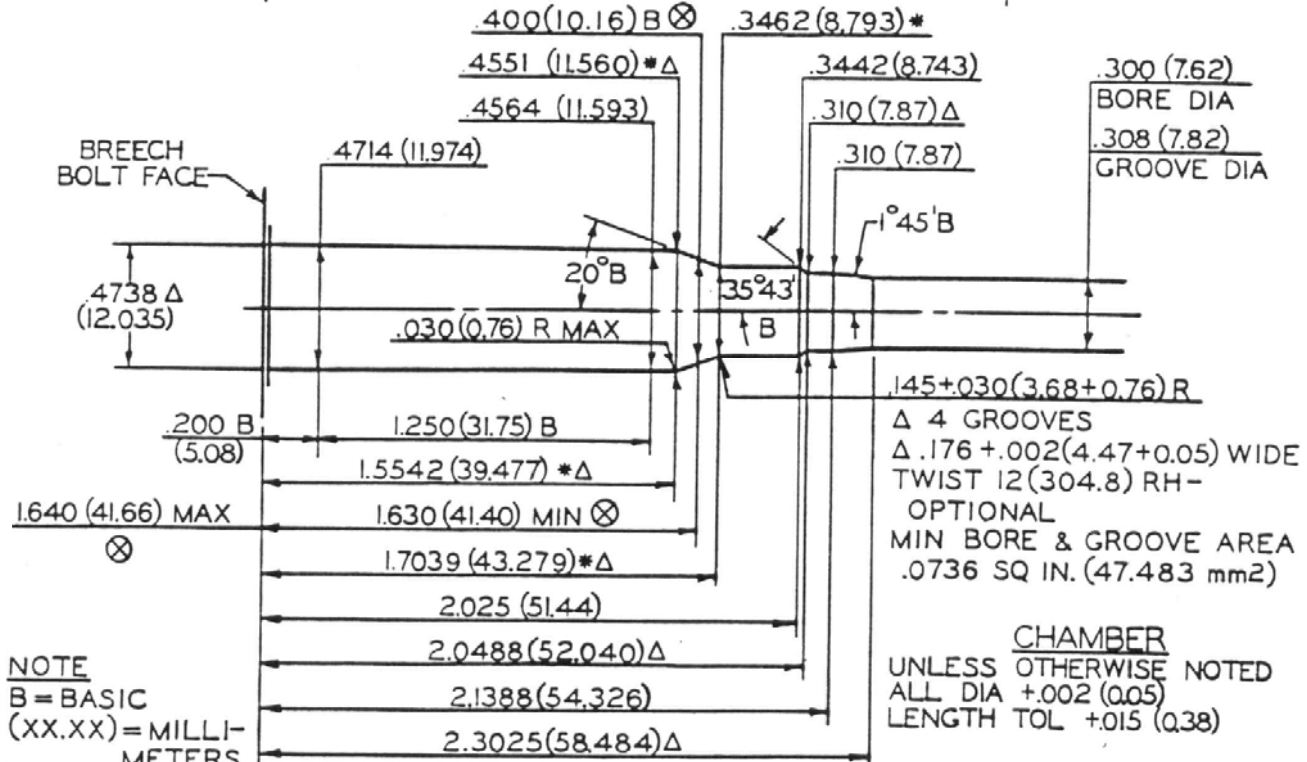
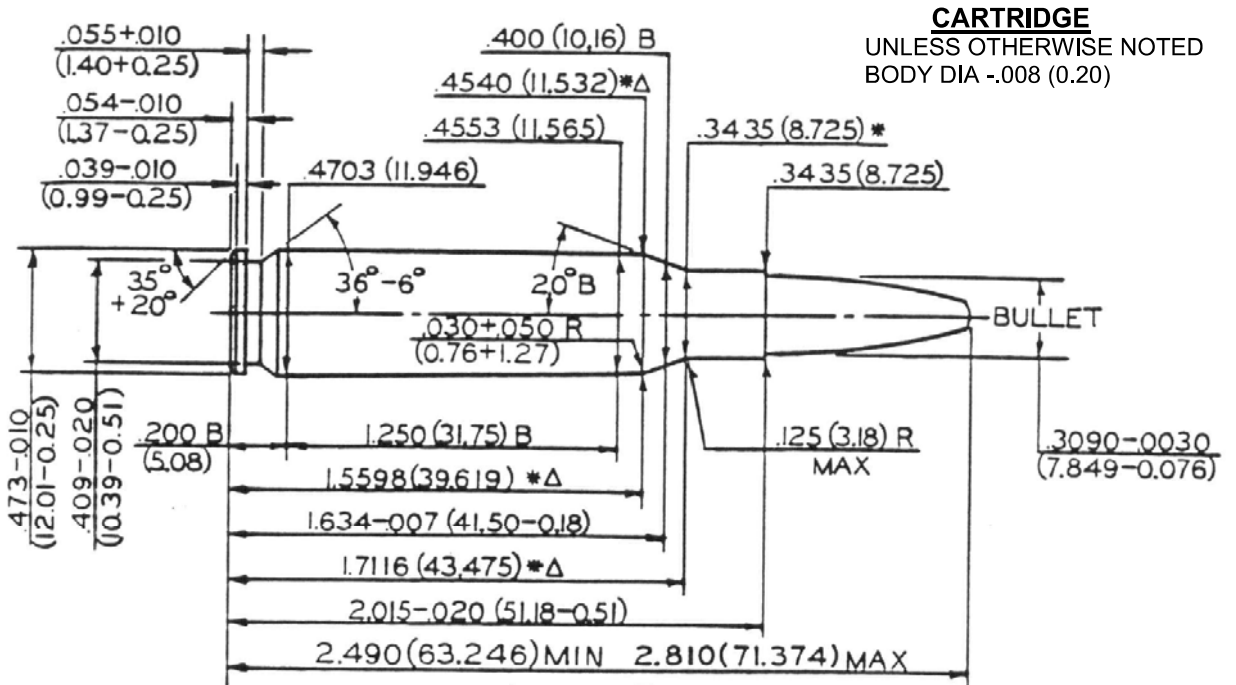


[Click HERE to return to the Table of Contents](#)

MAXIMUM CARTRIDGE / MINIMUM CHAMBER

308 WINCHESTER



NOTE
 B = BASIC
 (XX.XX) = MILLI-METERS

⊗ = HEADSPACE DIMENSION
 * DIMENSIONS ARE TO INTERSECTION OF LINES Δ = REFERENCE DIMENSION
 ALL CALCULATIONS APPLY AT MAXIMUM MATERIAL CONDITION (MMC)